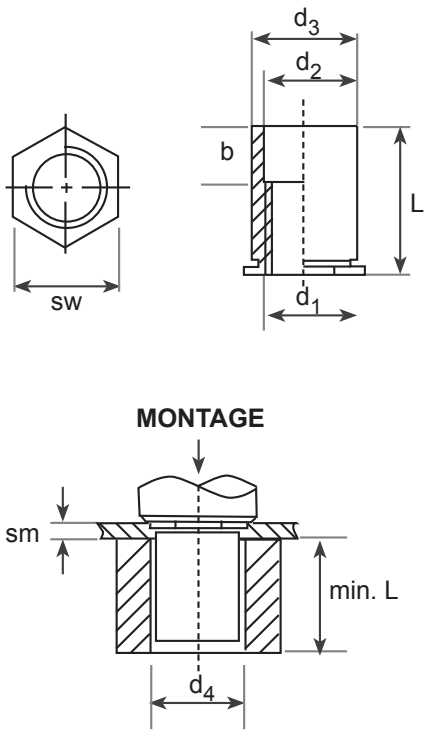


PRESS-FIT THREADED BUSHES

BSO, BSOS, BSO4



Thread d ₁	Hole-Ø in metal sheet +0,08 0	d ₂ ±0,13	d ₃ ±0,13	d ₄	Wrench size sw	min thickness metal sheet sm	Distance to middle hole	Ordering description		Distance to middle hole	Ordering description Stainless Steel, passivated
								Carbon Steel, galvanized colorless passivated	Stainless Steel, passivated		
M2	4,20	2,50	4,19	4,4	4,8	1,0	6,0	BSO-M2-L	-		
M2,5	4,20	3,20	4,19	4,4	4,8	1,0	6,0	BSO-M2,5-L	BSOS-M2,5-L		
M3	4,20	3,20	4,19	4,4	4,8	1,0	6,0	BSO-M3-L	BSOS-M3-L	6,0	BSO4-M3-L
	5,40	3,20	5,39	5,6	6,4	1,0	6,8	BSO-3,5M3-L	BSOS-3,5M3-L	7,1	BSO4-3,5-M3-L
M4	7,20	4,60	7,12	7,3	7,9	1,3	8,0	BSO-M4-L	BSOS-M4-L	8,4	BSO4-M4-L
	7,20	5,36	7,12	7,3	7,9	1,3	8,0	BSO-M5-L	BSOS-M5-L	8,4	BSO4-M5-L

Errors and changes excepted

		Length (length tolerance (L +/-0,4))											
BSO-M2-L	-	-	4	6	8	10	-	-	-	-	-	-	-
BSO-M2,5-L	BSOS-M2,5-L	-	4	6	8	10	-	-	-	-	-	-	-
BSO-M3-L	BSOS-M3-L	3	4	5/6	7&8	10	12	14	16	18	-	-	-
BSO-3,5M3-L	BSOS-3,5M3-L	3	4	6	8	10	12	14	16	18	20	22	25
BSO-M4-L	BSOS-M4-L	-	4	6	8	10	12	14	16	18	20	22	25
BSO-M5-L	BSOS-M5-L	-	-	-	-	4	4	4	4	8	8	11	11

		Length (length tolerance (L+0,05/- 0,13))											
BSO4-M3-L		3	4	6	8	10	12	14	16	18	-	-	-
BSO4-3,5-M3-L		3	4	6	8	10	12	14	16	18	-	-	-
BSO4-M4-L		-	4	6	8	10	12	14	16	18	20	22	25
BSO4-M5-L		-	4	6	8	10	12	14	16	18	20	22	25
Gewindefreie Länge b ±0,25		0	0	0	0	4	4	4	8	8	8	11	11

Type BSO: case-hardened steel, zinc plated, colorless passivated (code ZI), for sheet metal hardening up to HRB-80.

Type BSOS: Stainless steel 18/8 (AISI300), passivated, aluminum on request, for sheet hardness up to HRB-70.

For use in hardened metal sheets > HRB-80 type BSO4