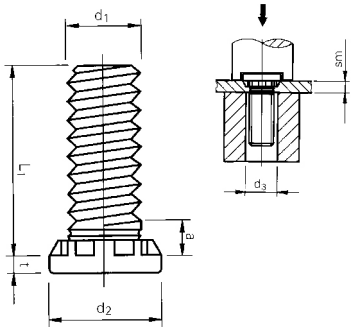


PRESS-IN THREADED STUD

BHFH, BHFHS



Thread d_1	hole-Ø in metal sheet +0,08 0	d_2 $\pm 0,4$	d_3	Wrench- size sw	min thick- ness metal sheet sm	Distance to middle hole	Ordering description	
							Steel, galvanized colorless passivated	Stain- less steel, passiv- ated
M5	5,00	7,8	5,1	2,7	1,14	1,3	BHFH-M5-L	BHFHS-M5-L
M6	6,00	9,4	6,1	2,8	1,27	1,5	BHFH-M6-L	BHFHS-M6-L
M8	8,00	12,5	8,1	3,5	1,78	2,0	BHFH-M8-L	BHFHS-M8-L
M10	10,00	15,7	10,1	4,1	2,29	2,3	BHFH-M10-L	BHFHS-M10-L

Errors and changes excepted, length tolerance (L +/-0,4)

Längen								
BHFH-M5-L	BHFHS-M5-L	15	20	25	30	35	40	50
BHFH-M6-L	BHFHS-M6-L	15	20	25	30	35	40	50
BHFH-M8-L	BHFHS-M8-L	15	20	25	30	35	40	50
BHFH-M10-L	BHFHS-M10-L	15	20	25	30	35	40	50

Errors and changes excepted, length tolerance (L +/-0,4)

Type BHFH: case-hardened steel, zinc plated, colorless passivated (code ZI), for sheet metal hardening up to HRB-85.

Type BHFHS: Stainless steel 18/8 (AISI300), passivated, aluminum on request, for sheet hardness up to HRB-70.