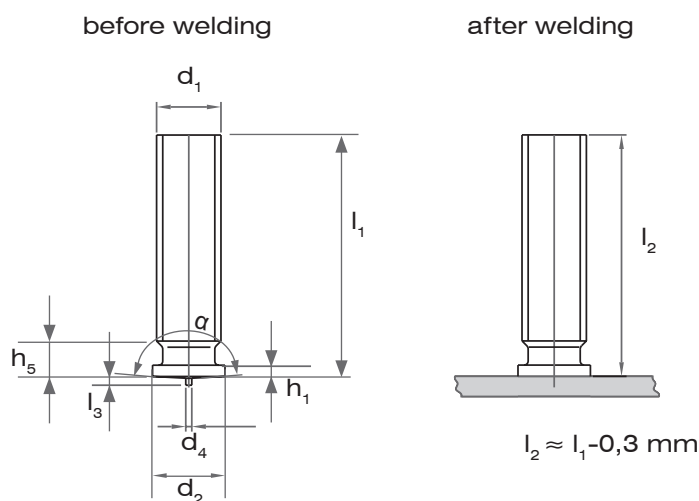




WELDING STUDS CAPACITOR DISCHARGE CD

We supply at short notice threaded and no-thread studs, shear connectors and short cycle studs from our extensive stock and also manufacture special studs to suit your specific requirements in a high standard of quality.

Threaded Stud PT



d_1	$l_1 + 0,6$	$d_2 \pm 0,2$	$d_4 \pm 0,08$	$l_3 \pm 0,05$	max. h_5	h_1	$\alpha \pm 2^\circ$
M3	6	4,5	0,60	0,55	0,6	0,7 bis 1,4	174 °
	8						
	10						
	12						
	16						
M4	20	5,5	0,65	0,55	0,6	0,7 bis 1,4	174 °
	8						
	10						
	12						
	16						
M5	10	6,5	0,75	0,80	1,0	0,7 bis 1,4	174 °
	12						
M6	16	7,5	0,75	0,85	1,5	0,8 bis 1,4	174 °
	20						
	25						
M8	30	9	0,75	0,85	1,5	0,8 bis 1,4	174 °
	12						
	16						
	20						

Studs according to DIN EN ISO 13918:2018

and special studs made of copper-plated steel, stainless steel, brass or aluminum