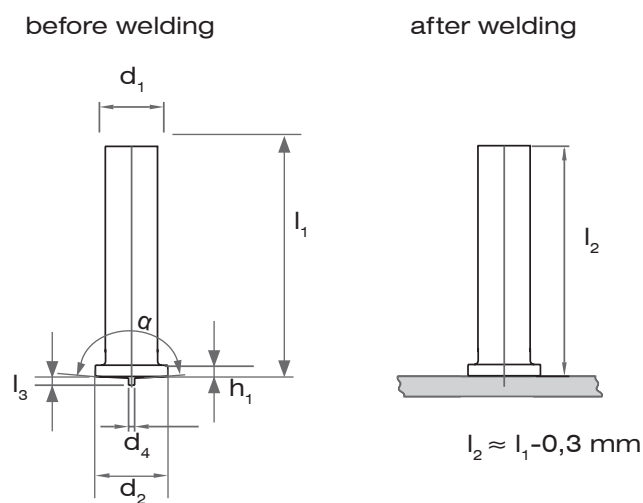




WELDING STUDS CAPACITOR DISCHARGE CD

We supply at short notice threaded and no-thread studs, shear connectors and short cycle studs from our extensive stock and also manufacture special studs to suit your specific requirements in a high standard of quality.

Unthreaded Stud UT



$d_1 \pm 0,1$	$l_{1min} + 0,6$	$d_2 \pm 0,2$	$d_4 \pm 0,08$	$l_3 \pm 0,05$	h_1	$\alpha \pm 2^\circ$
3	8	4,5	0,60	0,55	0,7 bis 1,4	174 °
4	8	5,5	0,65	0,55	0,7 bis 1,4	174 °
5	12	6,5	0,75	0,80	0,7 bis 1,4	174 °
6	12	7,5	0,75	0,80	0,7 bis 1,4	174 °
7,1	15	9	0,75	0,85	0,8 bis 1,4	174 °

Studs according to DIN EN ISO 13918:2018

and special studs made of copper-plated steel, stainless steel, brass or aluminum