

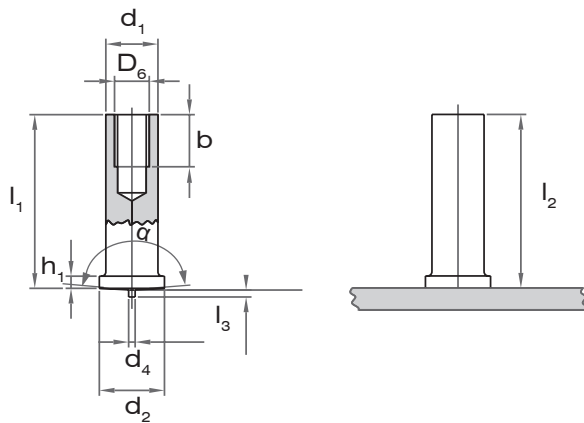
WELDING STUDS CAPACITOR DISCHARGE CD

We supply at short notice threaded and no-thread studs, shear connectors and short cycle studs from our extensive stock and also manufacture special studs to suit your specific requirements in a high standard of quality.

Tapped Stud IT

before welding

after welding



D_6	$l_{1min} +0,6$	$b_{min} +2P$	$d_2 \pm 0,2$	$d_1 \pm 0,1$	$d_4 \pm 0,08$	$l_3 \pm 0,05$	h_1	$\alpha \pm 2^\circ$
M3	10	5	6,5	5,0	0,75	0,80	0,7 bis 1,4	174 °
M4	10	6	7,5	6,0	0,75	0,80	0,7 bis 1,4	174 °
M5	10	6	9	7,1	0,75	0,85	0,8 bis 1,4	174 °
M6	15	7,5	9	8,0	0,75	0,85	0,8 bis 1,4	174 °
M8	15	9	9	8,0	0,75	0,85	0,8 bis 1,4	174 °