

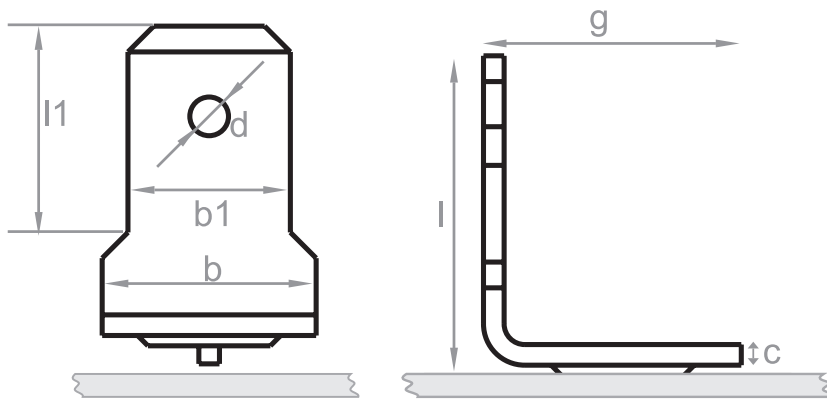
WELDING STUDS CAPACITOR DISCHARGE CD

We supply at short notice threaded and no-thread studs, shear connectors and short cycle studs from our extensive stock and also manufacture special studs to suit your specific requirements in a high standard of quality.

Flat Connector FL6,3

before welding

after welding



$c \pm 0,05$	0,8	Weight about (7,85 kg/dm ³) per 1.000 pcs in kg (St. 37)
$l \pm 0,8$	12	
$l1 \pm 0,2$	8	
$d \pm 0,1$	1,5	
$b \pm 0,2$	8	
$b1 \pm 0,1$	6,3	
$g \pm 0,8$	10	
Weight	0,93	

Material selection: (Other materials according agreement)

ISO-Standard	4.8	A2-50	CuZn 37	AlMg 3
Old descript	St. 37 verk.	1.4301	MS 63	Aluminium
Product key	01-063-0010	02-063-0010	03-063-0010	04-063-0010