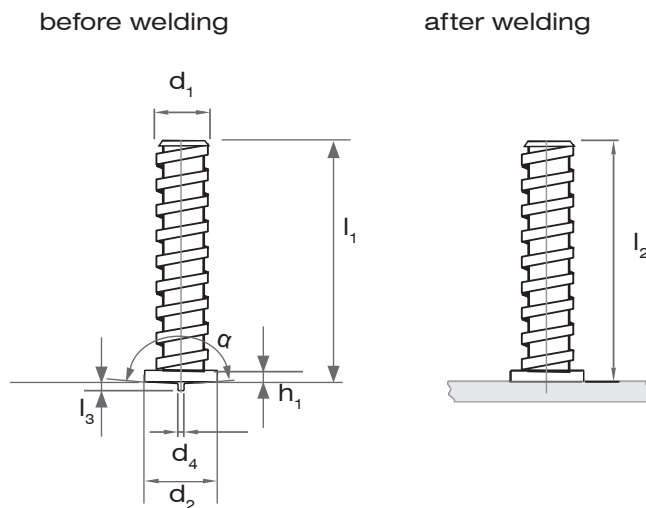


WELDING STUDS CAPACITOR DISCHARGE CD

We supply at short notice threaded and no-thread studs, shear connectors and short cycle studs from our extensive stock and also manufacture special studs to suit your specific requirements in a high standard of quality.

Coarse threaded stud / "Fire tree" stud



d_1	$l_1 + 0,6$	$d_2 + 0,2$	$d_4 \pm 0,08$	$l_3 \pm 0,0,5$	h_1	$\alpha \pm 2^\circ$	Bestellnummer/Artikelnummer/order number
5	9,0	6,0	0,75	5,0	0,7 bis 1,4	174 °	11-005-S009 (Stahl 4.8/carbon steel 4.8)
5	14,2	6,0	0,75	6,0	0,7 bis 1,4	174 °	11-005-S014 (Stahl 4.8/carbon steel 4.8)
5	18,0	6,0	0,75	7,1	0,7 bis 1,4	174 °	11-005-S018 (Stahl 4.8/carbon steel 4.8)
5	25,0	6,0	0,75	8,0	0,7 bis 1,4	174 °	11-005-S025 (Stahl 4.8/carbon steel 4.8)

Edelstahl auf Anfrage / stainless steel on request