

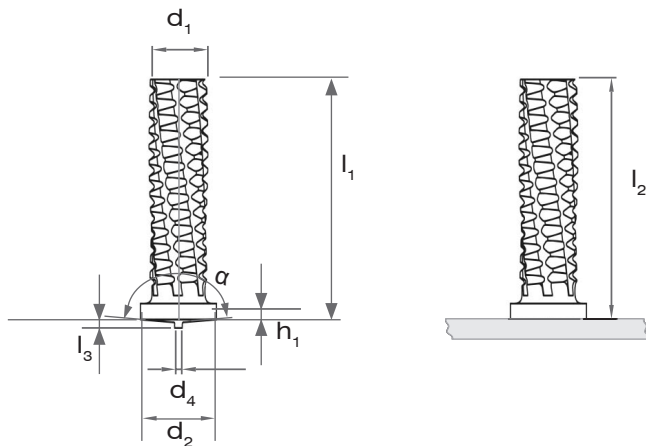
WELDING STUDS CAPACITOR DISCHARGE CD

We supply at short notice threaded and no-thread studs, shear connectors and short cycle studs from our extensive stock and also manufacture special studs to suit your specific requirements in a high standard of quality.

Paint clearing stud

before welding

after welding



d_1	$l_1 + 0,6$	$d_2 + 0,2$	$d_4 \pm 0,08$	$l_3 \pm 0,0,5$	h_1	$\alpha \pm 2^\circ$	order number
M4	on request	5,5	0,65	0,55	0,7 bis 1,4	174 °	11-075-xxxx* ¹ (Stahl 4.8/carbon steel 4.8)
M5		6,5	0,75	0,80	0,7 bis 1,4	174 °	11-075-xxxx* ¹ (Stahl 4.8/carbon steel 4.8)
M6		7,5	0,75	0,80	0,7 bis 1,4	174 °	11-075-xxxx* ¹ (Stahl 4.8/carbon steel 4.8)
M8		9,0	0,75	0,85	0,7 bis 1,4	174 °	11-075-xxxx* ¹ (Stahl 4.8/carbon steel 4.8)

stainless steel on request

*1: xxxx = / length (on request)